

SYSTEM DOCUMENT FOR XAN4CDXA

Table of contents

LEGENDS.....	1
Document Source.....	2
Selected Options.....	3
Object List for XAN4CDXA	4
Data Model Diagram (Normal) for CUSF.....	5
Annotation for CUSF.....	5
Access path details for CUSF.....	7
Select/Omit Details.....	8
File Field Details for CUSF.....	9
Object Where Used for CUSF.....	14
Data Flow Diagram (Detailed) for CUSF	18
Annotation for CUSF.....	18
Field Usage Of Objects Associated With CUSF.....	25
Source for CUSF.....	40
Index.....	43

LEGENDS

Structure Chart Diagram Legends

	Update
	Display
	Print
	Input
	Output
	Command
	Others
	Internal Routine
	Indeterminate
	Trigger
	Module

	Program Structure Operation
	Field Operation
	Commented Out && Excluded
	Blocked Comments

Data Flow Diagram Legends

	Access Path
	Called
	Calling
	Input
	Internal Routine
	Output
	Update

Data Model Diagram Legends

	Refer To
	Owned By
	Uni-Directional
	Multiple Rels
	Internal
	External
	Extended by
	Unrelated Files
	Join File Relations

Program Structure Chart Diagram Legends

	Programs/Modules
	Subroutines/Procedures

Source/Business Rules Legends

	Comment
	Call Operation
	File Operation

Document Source

Document generated for XAN4CDXA

Generation time: 26 ottobre 2022 21.09.06

Selected Options

1. Object List
2. Data Model Diagram - Normal with Annotation
3. LF/Access Path details
4. File Field Details
5. Object Where Used
6. Data Flow Diagram - Detailed with Annotation
7. Structure Chart - Normal with Annotation (Level 5)
8. Screen/Report Layout - Normal
9. Business Rules - Summary
10. Source (Level 1)
11. Source Flow Chart (Level 1)
12. Program Structure Chart

Object List for XAN4CDXA

Name	Type	Attribute	Description
CUSF	*FILE	PF	Sites

Data Model Diagram (Normal) for CUSF

Annotation for CUSF

modifica il campo

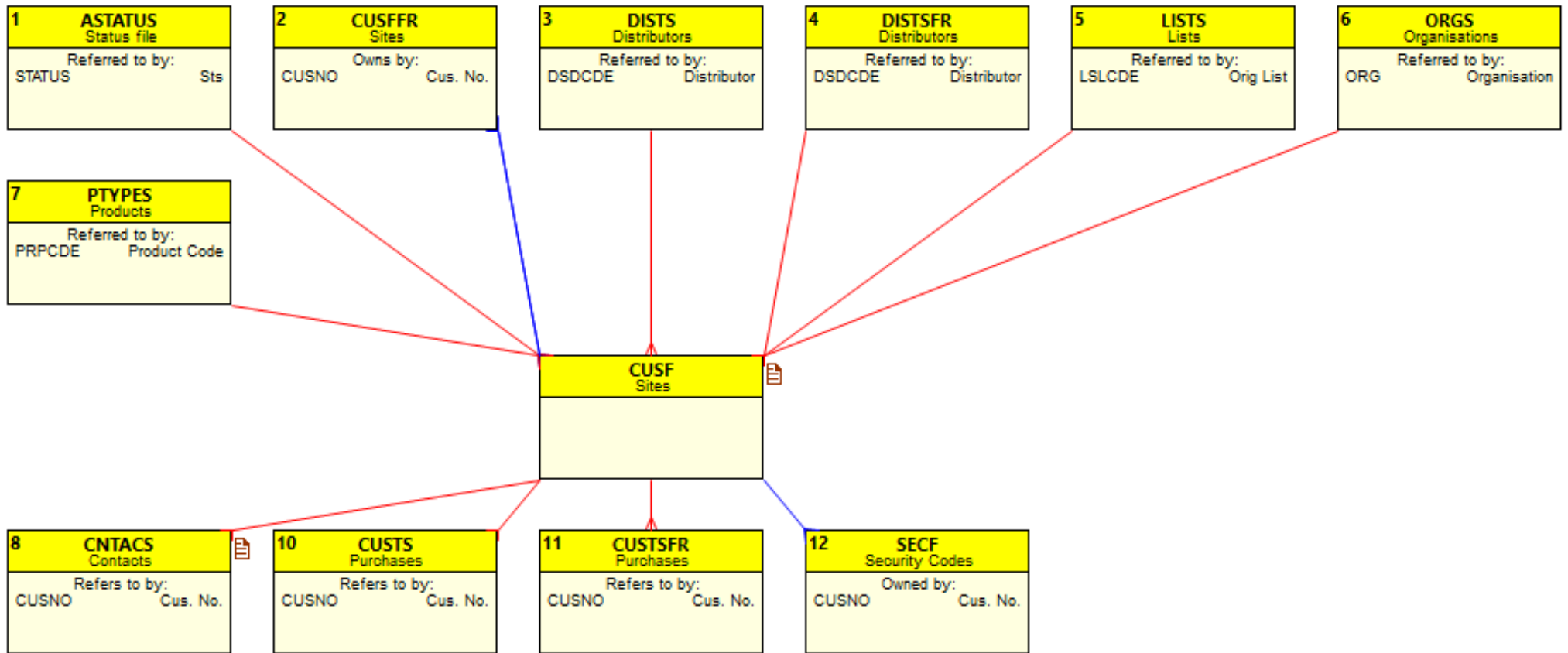
A DSDCDE 2A TEXT('Distributor')

da 2A a 4A

aggiorna analisi:

BAXI - PROGETTO DOCUMENTALE SOW

<https://docs.google.com/document/d/1-CRK4AnYqlvj3BP5Zb3GggFLKVIUwF8m3iHTJvsYDf0/edit?usp=sharing>



Access path details for CUSF

Access Path	Text	Unique Keys	Select/Omit	Field Names
CUSF	Sites	N	N	
CUSFL1	Sites by Name	N	N	CNAME
CUSFL3	Sites by Number	Y	N	CUSNO
CUSFLA	Sites by Product	N	N	PRPCDE,CNAME
CUSFLB	Sites by Orig.List	N	N	LSLCDE,CNAME
CUSFLC	Sites by Salesperson	N	N	SINIT,CNAME
CUSFLD	Sites by Validator	N	N	VINIT,CNAME
CUSFLE	Sites by Organisation	N	N	ORG,CNAME
CUSFL2	Sites by Status	N	N	STATUS,CNAME
CUSFL5	Sites by Dist.& Status	N	N	DSDCDE,STATUS,CNAME
CUSFL6	Sites By Dist.& Name	N	N	DSDCDE,CNAME
CUSFL7	Sites by Last Cnt.Date	N	Y	LCTDAT,STATUS,CNAME
CUSFL8	Sites by Next Cnt.Date	N	N	APDATE,CNAME
CUSFL9	Sites by Fax No.	N	Y	FAXNO

Select/Omit Details

Access Path	Field	Rule	Compare	Value	Length
CUSFL7					
	DSDCDE	Omit	NE	''	3
	FAXNO	Omit	EQ	' '	8
	STATUS	Omit	LT	'0'	3
	STATUS	And	NE	''	3
	STATUS	And	NE	'Z'	3
	STATUS	Omit	EQ	'7'	3
	STATUS	Omit	EQ	'9'	3
CUSFL9					
	DSDCDE	Omit	NE	''	3
	STATUS	Omit	LT	'0'	3
	STATUS	And	NE	''	3
	STATUS	And	NE	'Z'	3
	STATUS	Omit	EQ	'9'	3
	TELNO	Omit	LT	'01'	4
	LCTDAT	Omit	GT	+971001	7

File Field Details for CUSF

Mnemonic	Long Name	Type	Length	Dec.Pos.	Inp.Buf.Pos.	Headings	Annotation
CNAME	Company	Character	34		00001	Company	these are my notes about this filed CNAME which is of course the company name that is givben top teh customer themself
DSDCDE	Distributor	Character	2		00035	Distributor	
STATUS	Sts	Character	1		00037	Status	
TELNO	Phone	Character	17		00038	Phone	
EXTN	Extn	Character	6		00055	Extn.	
LCTDAT	Last_Cnt_Date	Zoned Decima l	6	0	00061	Last Contact Date	
APDATE	Next_Cnt_Date	Zoned Decima l	6	0	00067	Next Contact Date	
USERNM	Contact	Character	34		00073	Contact	

SALUT	Salutation	Character	34		00107	Salutation	
JTITLE	Job_Title	Character	34		00141	Job Title	
FAXNO	Fax_No	Character	15		00175	Fax. No.	
EMAIL	Email	Character	40		00190	Email	
WEBSIT	Website	Character	40		00230	Website	
ADD1	Address_1	Character	34		00270	Address 1	
ADD2	Address_2	Character	34		00304	Address 2	
ADD3	Address_3	Character	34		00338	Address 3	
ADD4	Address_4	Character	34		00372	Address 4	
CNTRY	Country	Character	25		00406	Country	
PSCD	Post_Code	Character	8		00431	Post Code	
CUSNO	Cus_No	Packed Decimal	5	0	00439	Cus. No.	

CMMNT1	Comment_Line_1	Character	40		00442	Comment Line 1	
CMMNT2	Comment_Line_2	Character	40		00482	Comment Line 2	
CMMNT3	Comment_Line_3	Character	40		00522	Comment Line 3	
DOCRCD	Doc_Sent	Character	3		00562	Docn.sent	
DOC2	Doc_Sent	Character	3		00565	Lit. Sent 2.	
DOC3	Doc_Sent	Character	3		00568	Lit. Sent 3.	
DOC4	Doc_Sent	Character	3		00571	Lit. Sent 4.	
DOC5	Doc_Sent	Character	3		00574	Lit. Sent 5.	
DOC6	Doc_Sent	Character	3		00577	Lit. Sent 6.	
OLDMCH	Mch	Character	2		00580	Machine	
PRPCDE	Product_Code	Character	2		00582	Product Code	
LSLCDE	Orig_List	Character	2		00584	Orig. List Code	

PREFIX	Doc_Prfl	Character	5		00586	Doc.Prefix:	
LLETSQ	Last_Let	Packed Decimal	3	0	00591	Last letter no.	
SPREQ	Spec_Req	Character	40		00593	Special Requirements	
RISC	Cisc_Risc_Both	Character	1		00633	Cisc/Risc/Both	
ALTTEL	Alt_Tel_No_1	Character	17		00634	Alt.Tel.No.1	
ALTTL2	Alt_Tel_No_2	Character	17		00651	Alt.Tel.No.2	
SINIT	Salesperson	Character	3		00668	Salesperson	
VERYFD	Verified	Character	1		00671	Verified?	
VINIT	Verified_By	Character	3		00672	Verified By	
VFDATE	Verification_Date	Zoned Decimal	6	0	00675	Verification Date	
CRTNAM	Created_By	Character	10		00681	Created By:	

System Document for XAN4CDXA

CRTDAT	Creation_Date	Zoned Decima 	6	0	00691	Creation Date	
UPDNAM	Updated_By	Charac ter	10		00697	Updated By:	
UPDDAT	Update_Date	Zoned Decima 	6	0	00707	Update Date	
ORG	Organisation	Packed Decima 	5	0	00713	Organisation	

Object Where Used for CUSF

Object	Type	Attribute	Text	Usage	Library	Last Used
CB906R	*PGM	RPG	Back-out account	File Updated By Program	XAN4CDEM	00/00/00
CNTDELRCO	*PGM	RPGLE		File Updated By Program/Delete Operation	XAN4CDEM	00/00/00
CONSTPROC	*PGM	CLE	PROC_WITH_ALL_CONSTANTS	File Read By Program	XAN4CDEM	00/00/00
CONUPD0	*PGM	RPGLE	Revert Back Customer Info	File Updated By Program	XAN4CDEM	00/00/00
CONUPD1	*PGM	RPGLE	Update Customer Info - Version 1	File Updated By Program	XAN4CDEM	00/00/00
CONUPD2	*PGM	RPGLE	Update Customer Info - Version 2	File Updated By Program	XAN4CDEM	00/00/00
CRTVAR01	*PGM	RPGLE	Embedded SQL with Create Variable Statement	File Read By Program	XAN4CDEM	00/00/00
CUSCPY	*PGM	RPG	Customer Copy	File Read/Written To By Program	XAN4CDEM	00/00/00
CUSFMINT	*PGM	RPGLE	Customer Site Maintenance	File Updated By Program	XAN4CDEM	00/00/00
CUSFMOLD	*PGM	RPGLE	Customer Site Maintenance	File Updated By Program	XAN4CDEM	00/00/00
CUSFSEL	*PGM	RPGLE	Customer Site Selection	File Read By Program	XAN4CDEM	00/00/00
CUSLETSQ	*PGM	RPG	Update Letter Sequence	File Updated By Program	XAN4CDEM	00/00/00
CUSREAD	*PGM	RPGLE	Test Sequential Read options	File Read By Program	XAN4CDEM	00/00/00
CUSREADDEL	*PGM	RPGLE	TEST SEQUENTIAL READ OPTIONS	File Updated By Program/Delete Operation	XAN4CDEM	00/00/00
CUSRGZ	*PGM	RPG	Reorganize Customer File	File Updated By Program	XAN4CDEM	00/00/00

System Document for XAN4CDXA

CUSTMNTJR	*PGM	RPGLE	Customer Detail Maintenance	File Read By Program	XAN4CDEM	00/00/00
CUSTMNT1	*PGM	RPGLE	Customer Detail Maintenance	File Read By Program	XAN4CDEM	00/00/00
CUSTMNT1_0	*PGM	RPGLE	Customer Detail Maintenance	File Read By Program	XAN4CDEM	00/00/00
CUSTMNT1_1	*PGM	RPGLE	Customer Detail Maintenance	File Read By Program	XAN4CDEM	00/00/00
CUSTMNT1_2	*PGM	RPGLE	Customer Detail Maintenance	File Read By Program	XAN4CDEM	00/00/00
DREPORT	*PGM	RPG	Distributor Report	File Read By Program	XAN4CDEM	00/00/00
DSPPTYPES	*PGM	RPGLE	Display Product	File Read By Program	XAN4CDEM	00/00/00
ESQLINDRF1	*PGM	RPGLE	Fully Free RPG ESQL VWU Indirect References	File Read By Program	XAN4CDEM	00/00/00
ESQLINDRF2	*PGM	RPGLE	Fully Free RPG ESQL VWU Indirect References	File Read By Program	XAN4CDEM	00/00/00
ESQLINDRF3	*PGM	RPGLE	Indirect references from Function Arguments	File Updated/Written To By Program	XAN4CDEM	00/00/00
FAXERR1	*PGM	RPG	Faxshot Errors Part 1.	File Updated By Program	XAN4CDEM	00/00/00
FAXERR2	*PGM	RPG	Faxshot Errors Part 2.	File Updated By Program	XAN4CDEM	00/00/00
FAXNOS1	*PGM	RPG	Generate Fax Numbers	File Read By Program	XAN4CDEM	00/00/00
FAXSHT1	*PGM	RPG	Generate Fax Shot	File Updated By Program	XAN4CDEM	00/00/00
GCNTAC1	*PGM	RPG	Generate Prospect Record	File Read By Program	XAN4CDEM	00/00/00
GCUST1	*PGM	RPG	Generate Purchase Record	File Read By Program	XAN4CDEM	00/00/00
GETDCOD	*PGM	RPGLE	Find Customer Distributor Code	File Read By Program	XAN4CDEM	00/00/00
GETDCODS	*MODULE	RPGLE	Find Customer Distributor Code (SRVPGM)	File Read By Module	XAN4CDEM	00/00/00
GETDCODS	*SRVPGM	RPGLE		File Read By Service	XAN4CDEM	00/00/00

System Document for XAN4CDXA

LETN1	*PGM	RPG	Letter Prefix Generation	File Read By Program	XAN4CDEM	00/00/00
OE002	*PGM	RPG	Order Enquiry	File Read By Program	XAN4CDEM	00/00/00
OE006	*PGM	RPG	Print Invoices	File Read By Program	XAN4CDEM	00/00/00
OE008	*PGM	RPG	Order Entry	File Read By Program	XAN4CDEM	00/00/00
SECFO	*PGM	RPG	Reorganize Codes File	File Read/Written To By Program	XAN4CDEM	00/00/00
SECFOCLP	*PGM	CLP	Security Report	File Read By Program	XAN4CDEM	00/00/00
SQLFUNC01	*SRVPGM	CLE	SQLFUNC01	File Read By Service	XAN4CDEM	00/00/00
SQLFUNC02	*SRVPGM	CLE	SQLFUNC02	File Read By Service	XAN4CDEM	00/00/00
SQLFUNC03	*SRVPGM	CLE	SQLFUNC03	File Read By Service	XAN4CDEM	00/00/00
TRIGGER1	*PGM	RPGLE	Dummy Trigger program	File Read by Trigger program	XAN4CDEM	00/00/00
VWUOUTCOMP	*SRVPGM	CLE	TEST_VWU_OUTSIDE_COMP_STMT	File Read By Service	XAN4CDEM	00/00/00
VWUTSTPROC	*PGM	CLE	PROC_TEST_VWU_ON_SQL_QUERIES	File Written To By Program	XAN4CDEM	00/00/00
WCUSTP	*PGM	RPGLE	Print Customer Detail	File Read By Program	XAN4CDEM	00/00/00
WKCUSP	*PGM	RPG	Summary Customer Report	File Read By Program	XAN4CDEM	00/00/00
WKCUS8E	*PGM	RPG	Customer Release Letter	File Read By Program	XAN4CDEM	00/00/00
WKCUS8EF	*PGM	RPG	Find Fax Number	File Read By Program	XAN4CDEM	00/00/00
WKSECF6	*PGM	RPG	Generate CPU Letter	File Read By Program	XAN4CDEM	00/00/00
WWCONHDR	*PGM	RPGLE	Work with Orders	File Read By Program	XAN4CDEM	00/00/00
WWCUSF	*PGM	RPGLE	Work with Customer Sites	File Updated/Written To By Program/Delete Operation	XAN4CDEM	00/00/00

WWCUSTS	*PGM	RPGLE	Work with Customers	File Read By Program	XAN4CDEM	00/00/00
WWCUSTSARR	*PGM	RPGLE	Work with Customers	File Read By Program	XAN4CDEM	00/00/00
WWCUSTS_0	*PGM	RPGLE	Work with Customers	File Read By Program	XAN4CDEM	00/00/00
WWCUSTS_1	*PGM	RPGLE	Work with Customers	File Read By Program	XAN4CDEM	00/00/00
WWCUSTS2	*PGM	RPGLE	Work with Customers	File Read By Program	XAN4CDEM	00/00/00
WWTRNHST	*PGM	RPGLE	Work with transaction history	File Read By Program	XAN4CDEM	00/00/00
ZAUDASTATU	*PGM	RPGLE	Audit ASTATUS file	File Read By Program	XAN4CDEM	00/00/00
ZAUDCUSF	*PGM	RPGLE	Audit CUSF file	File Read By Program	XAN4CDEM	00/00/00
ZAUDDISTS	*PGM	RPGLE	Audit DISTS file	File Read By Program	XAN4CDEM	00/00/00
ZAUDLISTS	*PGM	RPGLE	Audit LISTS file	File Read By Program	XAN4CDEM	00/00/00
ZAUDORGS	*PGM	RPGLE	Audit ORGS file	File Read By Program	XAN4CDEM	00/00/00
ZAUDPTYPES	*PGM	RPGLE	Audit PTYPES file	File Read By Program	XAN4CDEM	00/00/00
ZBCONHDR	*PGM	CBL	Work with Orders - Cobol vers.	File Read By Program	XAN4CDEM	00/00/00
ZBCUSFMNT	*PGM	CBL	Customer Site Maintenance	File Updated/Written To By Program	XAN4CDEM	00/00/00
ZBCUSTS	*PGM	CBL	Work with customer - Cobol vers.	File Read By Program	XAN4CDEM	00/00/00
ZBPRNCUSF	*PGM	CBL	Print Customer Details	File Read By Program	XAN4CDEM	00/00/00
ZBTRNHST	*PGM	CBL	Work with transaction history	File Read By Program	XAN4CDEM	00/00/00

Data Flow Diagram (Detailed) for CUSF

Annotation for CUSF

modifica il campo

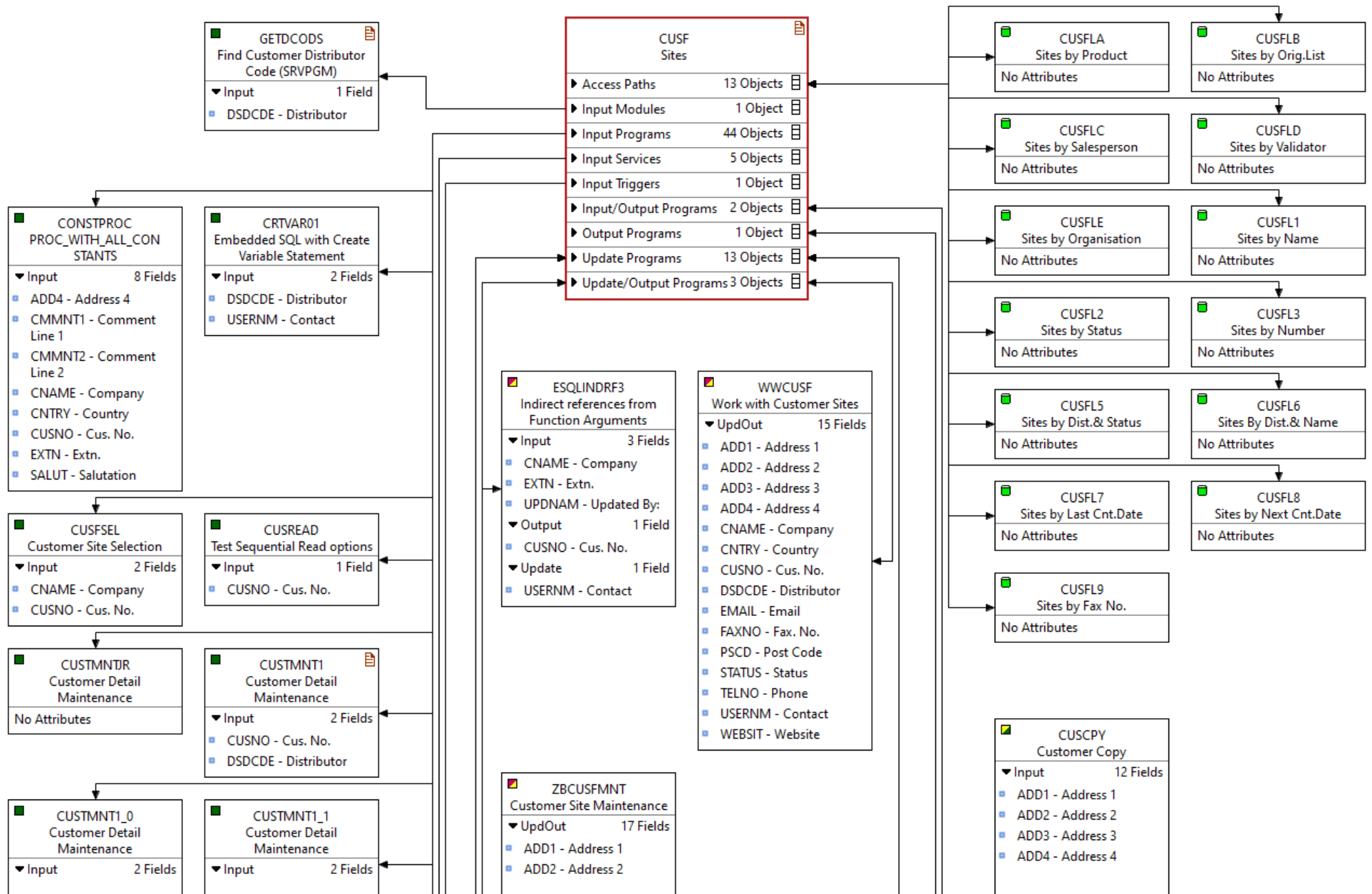
A DSDCDE 2A TEXT('Distributor')

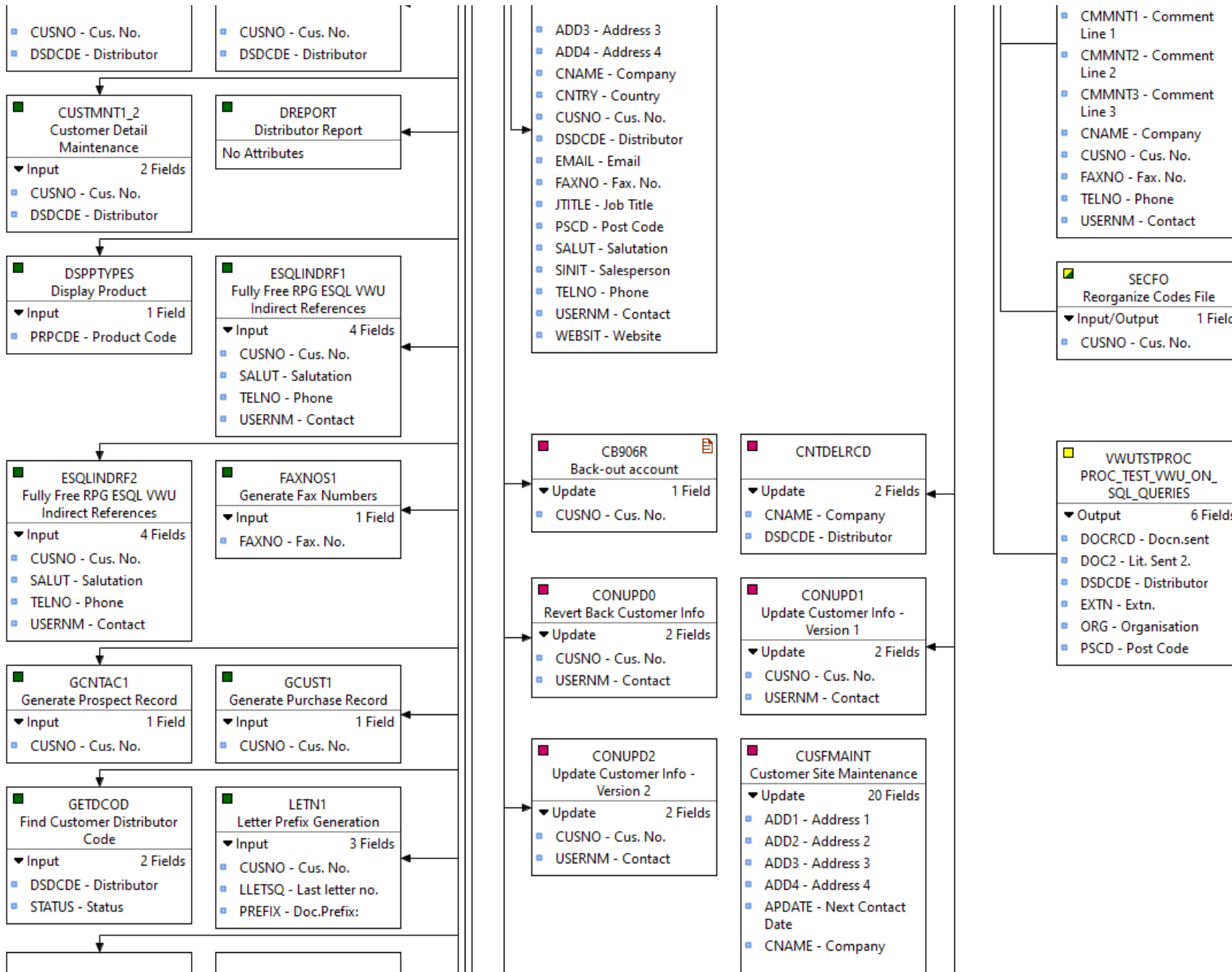
da 2A a 4A

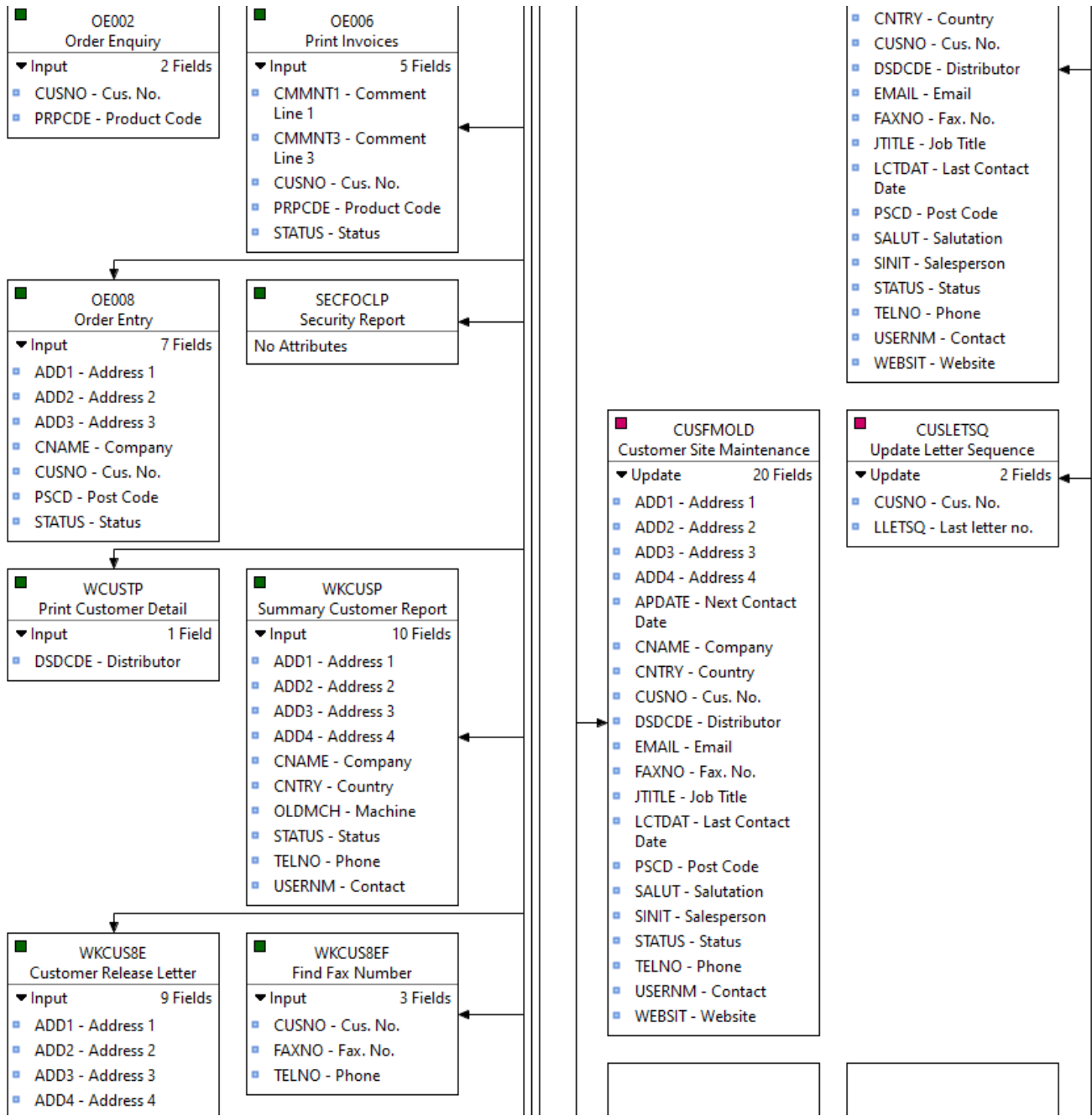
aggiorna analisi:

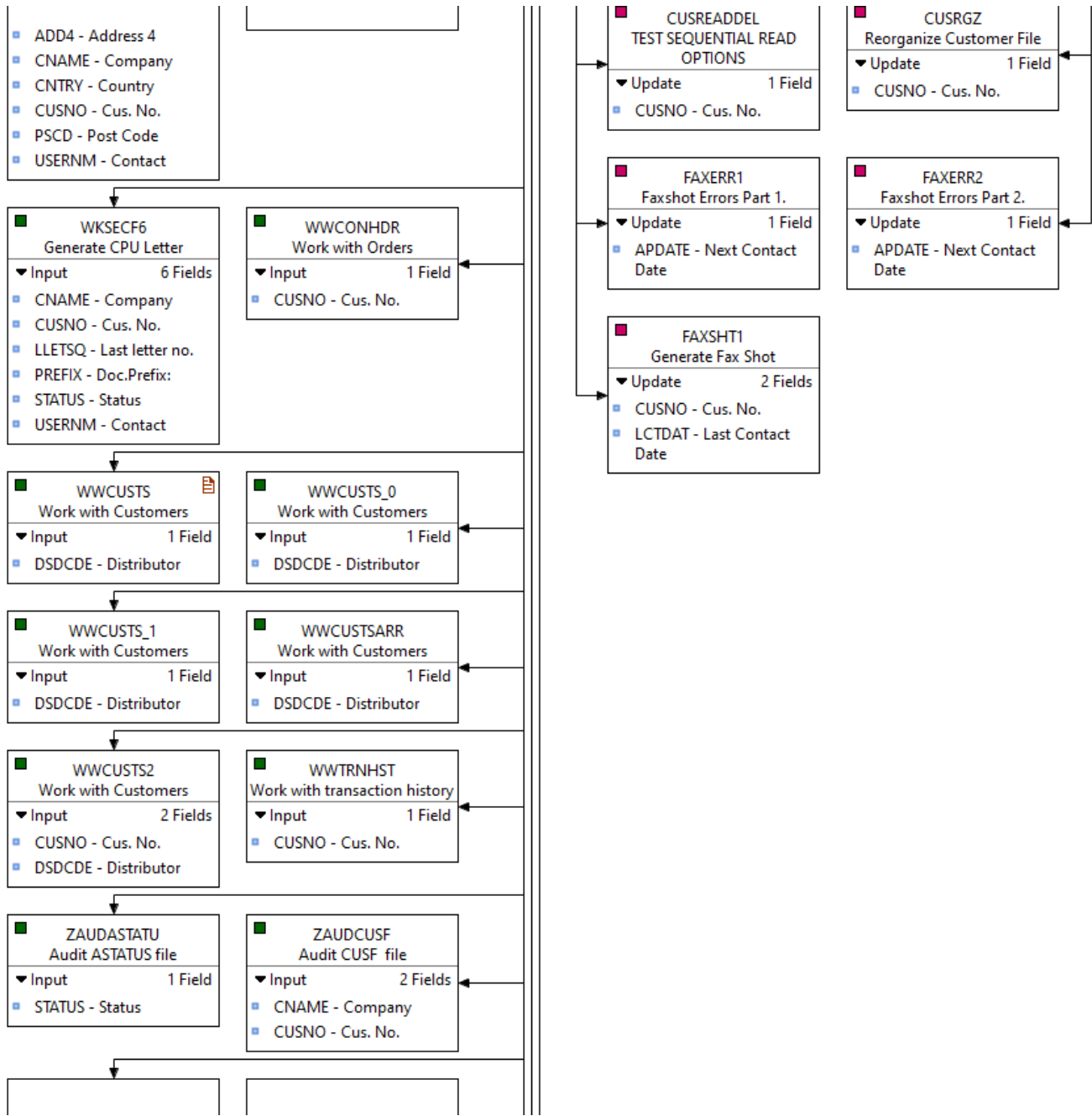
BAXI - PROGETTO DOCUMENTALE SOW

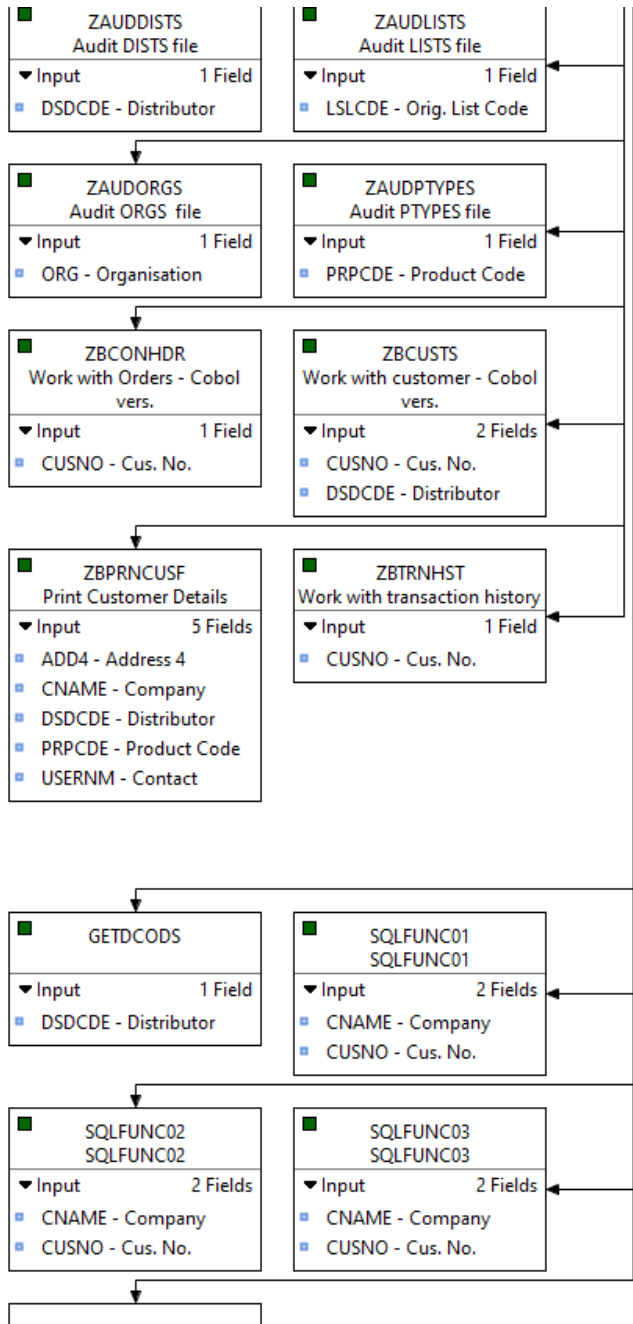
<https://docs.google.com/document/d/1-CRK4AnYqlvj3BP5Zb3GggFLKVIUwF8m3iHTJvsYDf0/edit?usp=sharing>











■	VWUOUTCOMP
	TEST_VWU_OUTSIDE_
	COMP_STMT
▼ Input	2 Fields
■	CNAME - Company
■	CUSNO - Cus. No.

■	TRIGGER1
	Dummy Trigger program
	No Attributes



1. Field Usage Of Objects Associated With CUSF

Object/Field-Type	Field	Description
Update Program		
CB906R		Back-out account
UPDATE	CUSNO	Cus. No.
CNTDELRCO		
UPDATE	CNAME	Company
UPDATE	DSDCDE	Distributor
CONUPD0		Revert Back Customer Info
UPDATE	CUSNO	Cus. No.
UPDATE	USERNM	Contact
CONUPD1		Update Customer Info - Version 1
UPDATE	CUSNO	Cus. No.
UPDATE	USERNM	Contact
CONUPD2		Update Customer Info - Version 2
UPDATE	CUSNO	Cus. No.
UPDATE	USERNM	Contact
CUSFMAINT		Customer Site Maintenance
UPDATE	ADD1	Address 1
UPDATE	ADD2	Address 2

UPDATE	ADD3	Address 3
UPDATE	ADD4	Address 4
UPDATE	APDATE	Next Contact Date
UPDATE	CNAME	Company
UPDATE	CNTRY	Country
UPDATE	CUSNO	Cus. No.
UPDATE	DSDCDE	Distributor
UPDATE	EMAIL	Email
UPDATE	FAXNO	Fax. No.
UPDATE	JTITLE	Job Title
UPDATE	LCTDAT	Last Contact Date
UPDATE	PSCD	Post Code
UPDATE	SALUT	Salutation
UPDATE	SINIT	Salesperson
UPDATE	STATUS	Status
UPDATE	TELNO	Phone
UPDATE	USERNM	Contact
UPDATE	WEBSIT	Website
CUSFMOLD		Customer Site Maintenance
UPDATE	ADD1	Address 1
UPDATE	ADD2	Address 2
UPDATE	ADD3	Address 3

UPDATE	ADD4	Address 4
UPDATE	APDATE	Next Contact Date
UPDATE	CNAME	Company
UPDATE	CNTRY	Country
UPDATE	CUSNO	Cus. No.
UPDATE	DSDCDE	Distributor
UPDATE	EMAIL	Email
UPDATE	FAXNO	Fax. No.
UPDATE	JTITLE	Job Title
UPDATE	LCTDAT	Last Contact Date
UPDATE	PSCD	Post Code
UPDATE	SALUT	Salutation
UPDATE	SINIT	Salesperson
UPDATE	STATUS	Status
UPDATE	TELNO	Phone
UPDATE	USERNM	Contact
UPDATE	WEBSIT	Website
CUSLETSQ		Update Letter Sequence
UPDATE	CUSNO	Cus. No.
UPDATE	LLETSQ	Last letter no.
CUSREADDEL		TEST SEQUENTIAL READ OPTIONS
UPDATE	CUSNO	Cus. No.

CUSRGZ		Reorganize Customer File
UPDATE	CUSNO	Cus. No.
FAXERR1		Faxshot Errors Part 1.
UPDATE	APDATE	Next Contact Date
FAXERR2		Faxshot Errors Part 2.
UPDATE	APDATE	Next Contact Date
FAXSHT1		Generate Fax Shot
UPDATE	CUSNO	Cus. No.
UPDATE	LCTDAT	Last Contact Date
Input Program		
CONSTPROC		PROC_WITH_ALL_CONSTANTS
INPUT	ADD4	Address 4
INPUT	CMMNT1	Comment Line 1
INPUT	CMMNT2	Comment Line 2
INPUT	CNAME	Company
INPUT	CNTRY	Country
INPUT	CUSNO	Cus. No.
INPUT	EXTN	Extn.
INPUT	SALUT	Salutation
CRTVAR01		Embedded SQL with Create Variable Statement
INPUT	DSDCDE	Distributor
INPUT	USERNM	Contact

CUSFSEL		Customer Site Selection
INPUT	CNAME	Company
INPUT	CUSNO	Cus. No.
CUSREAD		Test Sequential Read options
INPUT	CUSNO	Cus. No.
CUSTOMNTJR		Customer Detail Maintenance
CUSTOMNT1		Customer Detail Maintenance
INPUT	CUSNO	Cus. No.
INPUT	DSDCDE	Distributor
CUSTOMNT1_0		Customer Detail Maintenance
INPUT	CUSNO	Cus. No.
INPUT	DSDCDE	Distributor
CUSTOMNT1_1		Customer Detail Maintenance
INPUT	CUSNO	Cus. No.
INPUT	DSDCDE	Distributor
CUSTOMNT1_2		Customer Detail Maintenance
INPUT	CUSNO	Cus. No.
INPUT	DSDCDE	Distributor
DREPORT		Distributor Report
DSPPTYPES		Display Product
Input	PRPCDE	Product Code
ESQLINDRF1		Fully Free RPG ESQL VWU Indirect References

INPUT	CUSNO	Cus. No.
INPUT	SALUT	Salutation
INPUT	TELNO	Phone
INPUT	USERNM	Contact
ESQLINDRF2		Fully Free RPG ESQL VWU Indirect References
INPUT	CUSNO	Cus. No.
INPUT	SALUT	Salutation
INPUT	TELNO	Phone
INPUT	USERNM	Contact
FAXNOS1		Generate Fax Numbers
Input	FAXNO	Fax. No.
GCNTAC1		Generate Prospect Record
INPUT	CUSNO	Cus. No.
GCUST1		Generate Purchase Record
INPUT	CUSNO	Cus. No.
GETDCOD		Find Customer Distributor Code
INPUT	DSDCDE	Distributor
INPUT	STATUS	Status
GETDCODS		Find Customer Distributor Code (SRVPGM)
INPUT	DSDCDE	Distributor
GETDCODS		
INPUT	DSDCDE	Distributor

LETN1		Letter Prefix Generation
INPUT	CUSNO	Cus. No.
INPUT	LLETSQ	Last letter no.
INPUT	PREFIX	Doc.Prefix:
OE002		Order Enquiry
INPUT	CUSNO	Cus. No.
INPUT	PRPCDE	Product Code
OE006		Print Invoices
INPUT	CMMNT1	Comment Line 1
INPUT	CMMNT3	Comment Line 3
INPUT	CUSNO	Cus. No.
INPUT	PRPCDE	Product Code
INPUT	STATUS	Status
OE008		Order Entry
INPUT	ADD1	Address 1
INPUT	ADD2	Address 2
INPUT	ADD3	Address 3
INPUT	CNAME	Company
INPUT	CUSNO	Cus. No.
INPUT	PSCD	Post Code
INPUT	STATUS	Status
SECFOCLP		Security Report

SQLFUNC01		SQLFUNC01
INPUT	CNAME	Company
INPUT	CUSNO	Cus. No.
SQLFUNC02		SQLFUNC02
INPUT	CNAME	Company
INPUT	CUSNO	Cus. No.
SQLFUNC03		SQLFUNC03
INPUT	CNAME	Company
INPUT	CUSNO	Cus. No.
VWUOUTCOMP		TEST_VWU_OUTSIDE_COMP_STMT
INPUT	CNAME	Company
INPUT	CUSNO	Cus. No.
WCUSTP		Print Customer Detail
Input	DSDCDE	Distributor
WKCUSP		Summary Customer Report
Input	ADD1	Address 1
Input	ADD2	Address 2
Input	ADD3	Address 3
Input	ADD4	Address 4
Input	CNAME	Company
Input	CNTRY	Country
Input	OLDMCH	Machine

Input	STATUS	Status
Input	TELNO	Phone
Input	USERNM	Contact
WKCUS8E		Customer Release Letter
INPUT	ADD1	Address 1
INPUT	ADD2	Address 2
INPUT	ADD3	Address 3
INPUT	ADD4	Address 4
INPUT	CNAME	Company
INPUT	CNTRY	Country
INPUT	CUSNO	Cus. No.
INPUT	PSCD	Post Code
INPUT	USERNM	Contact
WKCUS8EF		Find Fax Number
INPUT	CUSNO	Cus. No.
INPUT	FAXNO	Fax. No.
INPUT	TELNO	Phone
WKSECF6		Generate CPU Letter
INPUT	CNAME	Company
INPUT	CUSNO	Cus. No.
INPUT	LLETSQ	Last letter no.
INPUT	PREFIX	Doc.Prefix:

INPUT	STATUS	Status
INPUT	USERNM	Contact
WWCONHDR		Work with Orders
INPUT	CUSNO	Cus. No.
WWCUSTS		Work with Customers
Input	DSDCDE	Distributor
WWCUSTS_0		Work with Customers
Input	DSDCDE	Distributor
WWCUSTS_1		Work with Customers
Input	DSDCDE	Distributor
WWCUSTSARR		Work with Customers
Input	DSDCDE	Distributor
WWCUSTS2		Work with Customers
INPUT	CUSNO	Cus. No.
INPUT	DSDCDE	Distributor
WWTRNHST		Work with transaction history
INPUT	CUSNO	Cus. No.
ZAUDASTATU		Audit ASTATUS file
INPUT	STATUS	Status
ZAUDCUSF		Audit CUSF file
INPUT	CNAME	Company
INPUT	CUSNO	Cus. No.

ZAUDDISTS		Audit DISTS file
INPUT	DSDCDE	Distributor
ZAUDLISTS		Audit LISTS file
INPUT	LSLCDE	Orig. List Code
ZAUDORGS		Audit ORGS file
INPUT	ORG	Organisation
ZAUDPTYPES		Audit PTYPES file
INPUT	PRPCDE	Product Code
ZBCONHDR		Work with Orders - Cobol vers.
INPUT	CUSNO	Cus. No.
ZBCUSTS		Work with customer - Cobol vers.
INPUT	CUSNO	Cus. No.
INPUT	DSDCDE	Distributor
ZBPRNCUSF		Print Customer Details
INPUT	ADD4	Address 4
INPUT	CNAME	Company
INPUT	DSDCDE	Distributor
INPUT	PRPCDE	Product Code
INPUT	USERNM	Contact
ZBTRNHST		Work with transaction history
INPUT	CUSNO	Cus. No.
Output/Input Program		

CUSCPY		Customer Copy
INPUT	ADD1	Address 1
INPUT	ADD2	Address 2
INPUT	ADD3	Address 3
INPUT	ADD4	Address 4
INPUT	CMMNT1	Comment Line 1
INPUT	CMMNT2	Comment Line 2
INPUT	CMMNT3	Comment Line 3
INPUT	CNAME	Company
INPUT	CUSNO	Cus. No.
INPUT	FAXNO	Fax. No.
INPUT	TELNO	Phone
INPUT	USERNM	Contact
SECFO		Reorganize Codes File
INOUT	CUSNO	Cus. No.
Update/Output Program		
ESQLINDRF3		Indirect references from Function Arguments
INPUT	CNAME	Company
INPUT	EXTN	Extn.
INPUT	UPDNAM	Updated By:
OUTPUT	CUSNO	Cus. No.
UPDATE	USERNM	Contact

WWCUSF		Work with Customer Sites
UPDOU	ADD1	Address 1
UPDOU	ADD2	Address 2
UPDOU	ADD3	Address 3
UPDOU	ADD4	Address 4
UPDOU	CNAME	Company
UPDOU	CNTRY	Country
UPDOU	CUSNO	Cus. No.
UPDOU	DSDCDE	Distributor
UPDOU	EMAIL	Email
UPDOU	FAXNO	Fax. No.
UPDOU	PSCD	Post Code
UPDOU	STATUS	Status
UPDOU	TELNO	Phone
UPDOU	USERNM	Contact
UPDOU	WEBSIT	Website
ZBCUSFMNT		Customer Site Maintenance
UPDOU	ADD1	Address 1
UPDOU	ADD2	Address 2
UPDOU	ADD3	Address 3
UPDOU	ADD4	Address 4
UPDOU	CNAME	Company

UPDOUT	CNTRY	Country
UPDOUT	CUSNO	Cus. No.
UPDOUT	DSDCDE	Distributor
UPDOUT	EMAIL	Email
UPDOUT	FAXNO	Fax. No.
UPDOUT	JTITLE	Job Title
UPDOUT	PSCD	Post Code
UPDOUT	SALUT	Salutation
UPDOUT	SINIT	Salesperson
UPDOUT	TELNO	Phone
UPDOUT	USERNM	Contact
UPDOUT	WEBSIT	Website
Trigger Input Program		
TRIGGER1		Dummy Trigger program
Output Program		
VWUTSTPROC		PROC_TEST_VWU_ON_SQL_QUERIES
OUTPUT	DOCRCD	Docn.sent
OUTPUT	DOC2	Lit. Sent 2.
OUTPUT	DSDCDE	Distributor
OUTPUT	EXTN	Extn.
OUTPUT	ORG	Organisation
OUTPUT	PSCD	Post Code

Access Path		
CUSFLA		Sites by Product
CUSFLB		Sites by Orig.List
CUSFLC		Sites by Salesperson
CUSFLD		Sites by Validator
CUSFLE		Sites by Organisation
CUSFL1		Sites by Name
CUSFL2		Sites by Status
CUSFL3		Sites by Number
CUSFL5		Sites by Dist.& Status
CUSFL6		Sites By Dist.& Name
CUSFL7		Sites by Last Cnt.Date
CUSFL8		Sites by Next Cnt.Date
CUSFL9		Sites by Fax No.

Source for CUSF

<i>Seq No</i>	<i>*</i>	<i>1</i>	<i>2</i>	<i>3</i>	<i>4</i>	<i>5</i>	<i>6</i>	<i>7</i>	<i>8</i>	<i>9</i>	<i>* Date Changed</i>
0001.00	A	R	RCUSF								90/03/26
0002.00	A		CNAME	34A		TEXT('Company')					91/07/31
0003.00	A		DSDCDE	2A		TEXT('Distributor')					05/08/01
0004.00	A		STATUS	1A		TEXT('Status')					95/12/12
0005.00	A					COLHDG('Sts')					95/12/12
0006.00	A		TELNO	17A		TEXT('Phone')					95/12/12
0007.00	A		EXTN	6A		TEXT('Extn.')					00/00/00
0008.00	A		LCTDAT	6S 0		TEXT('Last Contact Date')					95/12/11
0009.00	A					COLHDG('Last Cnt' 'Date')					95/12/13
0010.00	A					EDTCDE(Y)					91/07/31
0011.00	A		APDATE	6S 0		TEXT('Next Contact Date')					95/12/11
0012.00	A					COLHDG('Next Cnt' 'Date')					95/12/13
0013.00	A					EDTCDE(Y)					00/00/00
0014.00	A		USERNM	34A		TEXT('Contact')					95/12/12
0015.00	A		SALUT	34A		TEXT('Salutation')					00/00/00
0016.00	A		JTITLE	34A		TEXT('Job Title')					00/00/00
0017.00	A		FAXNO	15A		TEXT('Fax. No.')					98/11/18
0018.00	A		EMAIL	40A		TEXT('Email')					02/10/24
0019.00	A		WEBSIT	40A		TEXT('Website')					02/10/24
0020.00	A		ADD1	34A		TEXT('Address 1')					95/12/12
0021.00	A		ADD2	34A		TEXT('Address 2')					95/12/12
0022.00	A		ADD3	34A		TEXT('Address 3')					95/12/12
0023.00	A		ADD4	34A		TEXT('Address 4')					95/12/12
0024.00	A		CNTRY	25A		TEXT('Country')					95/12/12
0025.00	A		PSCD	8A		TEXT('Post Code')					95/12/12
0026.00	A		CUSNO	5P 0		TEXT('Cus. No.')					90/04/12
0027.00	A					COLHDG('Cus.' 'No.')					95/12/12
0028.00	A		CMMNT1	40A		TEXT('Comment Line 1')					02/10/24
0029.00	A		CMMNT2	40A		TEXT('Comment Line 2')					02/10/24
0030.00	A		CMMNT3	40A		TEXT('Comment Line 3')					02/10/24

0031.00	A	DOCRCD	3A	TEXT('Docn.sent')	95/12/11
0032.00	A			COLHDG('Doc.' 'Sent')	95/12/12
0033.00	A	DOC2	3A	TEXT('Lit. Sent 2.')	95/12/11
0034.00	A			COLHDG('Doc.' 'Sent')	95/12/12
0035.00	A	DOC3	3A	TEXT('Lit. Sent 3.')	95/12/11
0036.00	A			COLHDG('Doc.' 'Sent')	95/12/12
0037.00	A	DOC4	3A	TEXT('Lit. Sent 4.')	95/12/11
0038.00	A			COLHDG('Doc.' 'Sent')	95/12/12
0039.00	A	DOC5	3A	TEXT('Lit. Sent 5.')	95/12/11
0040.00	A			COLHDG('Doc.' 'Sent')	95/12/12
0041.00	A	DOC6	3A	TEXT('Lit. Sent 6.')	95/12/11
0042.00	A			COLHDG('Doc.' 'Sent')	95/12/12
0043.00	A	OLDMCH	2A	TEXT('Machine')	95/12/12
0044.00	A			COLHDG('Mch')	95/12/12
0045.00	A	PRPCDE	2A	TEXT('Product Code')	05/08/01
0046.00	A	LSLCDE	2A	TEXT('Orig. List Code')	05/08/01
0047.00	A			COLHDG('Orig' 'List')	95/12/12
0048.00	A	PREFIX	5A	TEXT('Doc.Prefix:')	94/05/20
0049.00	A			COLHDG('Doc.' 'Prf.')	95/12/12
0050.00	A	LLETSQ	3P 0	TEXT('Last letter no.')	95/12/12
0051.00	A			COLHDG('Last' 'Let.')	95/12/12
0052.00	* new:				00/00/00
0053.00	A	SPREQ	40A	TEXT('Special Requirements')	02/10/24
0054.00	A			COLHDG('Spec' 'Req.')	00/00/00
0055.00	A	RISC	1A	TEXT('Cisc/Risc/Both')	00/00/00
0056.00	A	ALTTEL	17A	TEXT('Alt.Tel.No.1')	00/00/00
0057.00	A	ALTTL2	17A	TEXT('Alt.Tel.No.2')	00/00/00
0058.00	A	SINIT	3A	TEXT('Salesperson')	00/00/00
0059.00	A	VERYFD	1A	TEXT('Verified?')	00/00/00
0060.00	A	VINIT	3A	TEXT('Verified By')	00/00/00
0061.00	A	VFDATE	6S 0	TEXT('Verification Date')	00/00/00
0062.00	A			EDTCDE(Y)	00/00/00
0063.00	A	CRTNAM	10A	TEXT('Created By:')	00/00/00
0064.00	A	CRTDAT	6S 0	TEXT('Creation Date')	00/00/00

0065.00	A			EDTCDE(Y)	00/00/00
0066.00	A	UPDNAM	10A	TEXT('Updated By:')	00/00/00
0067.00	A	UPDDAT	6S 0	TEXT('Update Date')	00/00/00
0068.00	A			EDTCDE(Y)	00/00/00
0069.00	A	ORG	5P 0	TEXT('Organisation')	00/00/00

Index

A

ASTATUS, *FILE, Status file 6

C

CB906R, *PGM, Back-out account 20, 25, 14

CNTACS, *FILE, Contacts 6

CNTDELRCD, *PGM, 20, 25, 14

CONSTPROC, *PGM, PROC_WITH_ALL_CONSTANTS 19, 25, 14

CONUPD0, *PGM, Revert Back Customer Info 20, 25, 14

CONUPD1, *PGM, Update Customer Info - Version 1 20, 25, 14

CONUPD2, *PGM, Update Customer Info - Version 2 20, 25, 14

CRTVAR01, *PGM, Embedded SQL with Create Variable Statement 19, 25, 14

CUSCPY, *PGM, Customer Copy 19, 20, 25, 14

CUSF, *FILE, Sites 19, 4, 6, 7, 40, 9, 14

CUSFFR, *FILE, Sites 6

CUSFL1, *FILE, Sites by Name 19, 7, 25

CUSFL2, *FILE, Sites by Status 19, 7, 25

CUSFL3, *FILE, Sites by Number 19, 7, 25

CUSFL5, *FILE, Sites by Dist.& Status 19, 7, 25

CUSFL6, *FILE, Sites By Dist.& Name 19, 7, 25

CUSFL7, *FILE, Sites by Last Cnt.Date 19, 7, 25

CUSFL8, *FILE, Sites by Next Cnt.Date 19, 7, 25

CUSFL9, *FILE, Sites by Fax No. 19, 7, 25

CUSFLA, *FILE, Sites by Product 19, 7, 25

CUSFLB, *FILE, Sites by Orig.List 19, 7, 25

CUSFLC, *FILE, Sites by Salesperson 19, 7, 25

CUSFLD, *FILE, Sites by Validator 19, 7, 25

CUSFLE, *FILE, Sites by Organisation 19, 7, 25

CUSFMAINT, *PGM, Customer Site Maintenance 20, 21, 25, 14

CUSFMOLD, *PGM, Customer Site Maintenance 21, 25, 14

CUSFSEL, *PGM, Customer Site Selection 19, 25, 14

CUSLETSQ, *PGM, Update Letter Sequence 21, 25, 14

CUSREAD, *PGM, Test Sequential Read options 19, 25, 14

CUSREADDEL, *PGM, TEST SEQUENTIAL READ OPTIONS 21, 22, 25, 14

CUSRGZ, *PGM, Reorganize Customer File 21, 22, 25, 14

CUSTOMNT1, *PGM, Customer Detail Maintenance 19, 25, 14

CUSTOMNT1_0, *PGM, Customer Detail Maintenance 19, 20, 25, 14

CUSTOMNT1_1, *PGM, Customer Detail Maintenance 19, 20, 25, 14

CUSTOMNT1_2, *PGM, Customer Detail Maintenance 20, 25, 14

CUSTOMNTJR, *PGM, Customer Detail Maintenance 19, 25, 14

CUSTS, *FILE, Purchases 6

CUSTSFR, *FILE, Purchases 6

D

DISTS, *FILE, Distributors 6

DISTSFR, *FILE, Distributors 6

DREPORT, *PGM, Distributor Report 20, 25, 14

DSPPTYPES, *PGM, Display Product 20, 25, 14

E

ESQLINDRF1, *PGM, Fully Free RPG ESQL VWU Indirect References 20, 25, 14

ESQLINDRF2, *PGM, Fully Free RPG ESQL VWU Indirect References 20, 25, 14

ESQLINDRF3, *PGM, Indirect references from Function Arguments 19, 25, 14

F

FAXERR1, *PGM, Faxshot Errors Part 1. 22, 25, 14

FAXERR2, *PGM, Faxshot Errors Part 2. 22, 25, 14

FAXNOS1, *PGM, Generate Fax Numbers 20, 25, 14

FAXSHT1, *PGM, Generate Fax Shot 22, 25, 14

G

GCNTAC1, *PGM, Generate Prospect Record 20, 25, 14

GCUST1, *PGM, Generate Purchase Record 20, 25, 14

GETDCOD, *PGM, Find Customer Distributor Code 20, 25, 14

GETDCODS, *MODULE, Find Customer Distributor Code (SRVPGM) 19, 25, 14

GETDCODS, *SRVPGM, 23, 25, 14

L

LETN1, *PGM, Letter Prefix Generation 20, 25, 14

LISTS, *FILE, Lists 6

O

OE002, *PGM, Order Enquiry 20, 21, 25, 14

OE006, *PGM, Print Invoices 20, 21, 25, 14

OE008, *PGM, Order Entry 21, 25, 14

ORGS, *FILE, Organisations 6

Object List 4

P

PTYPES, *FILE, Products 6

S

SECF, *FILE, Security Codes 6

SECFO, *PGM, Reorganize Codes File 20, 25, 14

SECFOCLP, *PGM, Security Report 21, 25, 14

SQLFUNC01, *SRVPGM, SQLFUNC01 23, 25, 14

SQLFUNC02, *SRVPGM, SQLFUNC02 23, 25, 14

SQLFUNC03, *SRVPGM, SQLFUNC03 23, 25, 14

T

TRIGGER1, *PGM, Dummy Trigger program 24, 25, 14

V

VWUOUTCOMP, *SRVPGM, TEST_VWU_OUTSIDE_COMP_STMT 23, 24, 25, 14

VWUTSTPROC, *PGM, PROC_TEST_VWU_ON_SQL_QUERIES 20, 25, 14

W

WCUSTP, *PGM, Print Customer Detail 21, 25, 14

WKCUS8E, *PGM, Customer Release Letter 21, 22, 25, 14

WKCUS8EF, *PGM, Find Fax Number 21, 25, 14

WKCUSP, *PGM, Summary Customer Report 21, 25, 14

WKSECF6, *PGM, Generate CPU Letter 22, 25, 14

WWCONHDR, *PGM, Work with Orders 22, 25, 14

WWCUSF, *PGM, Work with Customer Sites 19, 25, 14

WWCUSTS, *PGM, Work with Customers 22, 25, 14

WWCUSTS2, *PGM, Work with Customers 22, 25, 14

WWCUSTSARR, *PGM, Work with Customers 22, 25, 14

WWCUSTS_0, *PGM, Work with Customers 22, 25, 14

WWCUSTS_1, *PGM, Work with Customers 22, 25, 14

WWTRNHST, *PGM, Work with transaction history 22, 25, 14

Z

ZAUDASTATU, *PGM, Audit ASTATUS file 22, 25, 14

ZAUDCUSF, *PGM, Audit CUSF file 22, 25, 14

ZAUDDISTS, *PGM, Audit DISTS file 22, 23, 25, 14

ZAUDLISTS, *PGM, Audit LISTS file 22, 23, 25, 14

ZAUDORGS, *PGM, Audit ORGS file 23, 25, 14

ZAUDPTYPES, *PGM, Audit PTYPES file 23, 25, 14

ZBCONHDR, *PGM, Work with Orders - Cobol vers. 23, 25, 14

ZBCUSFMNT, *PGM, Customer Site Maintenance 19, 20, 25, 14

ZBCUSTS, *PGM, Work with customer - Cobol vers. 23, 25, 14

ZBPRNCUSF, *PGM, Print Customer Details 23, 25, 14

ZBTRNHST, *PGM, Work with transaction history 23, 25, 14